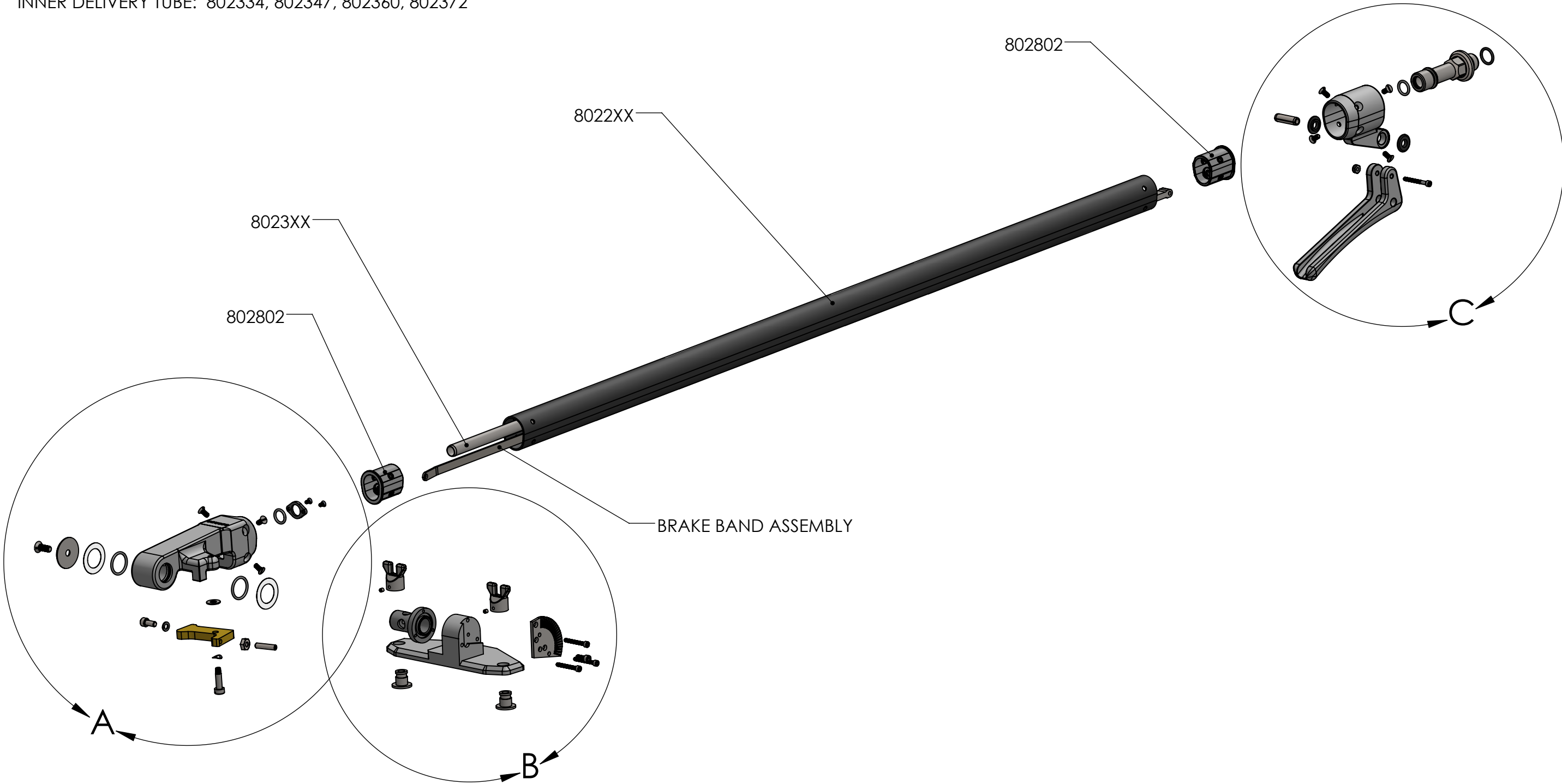


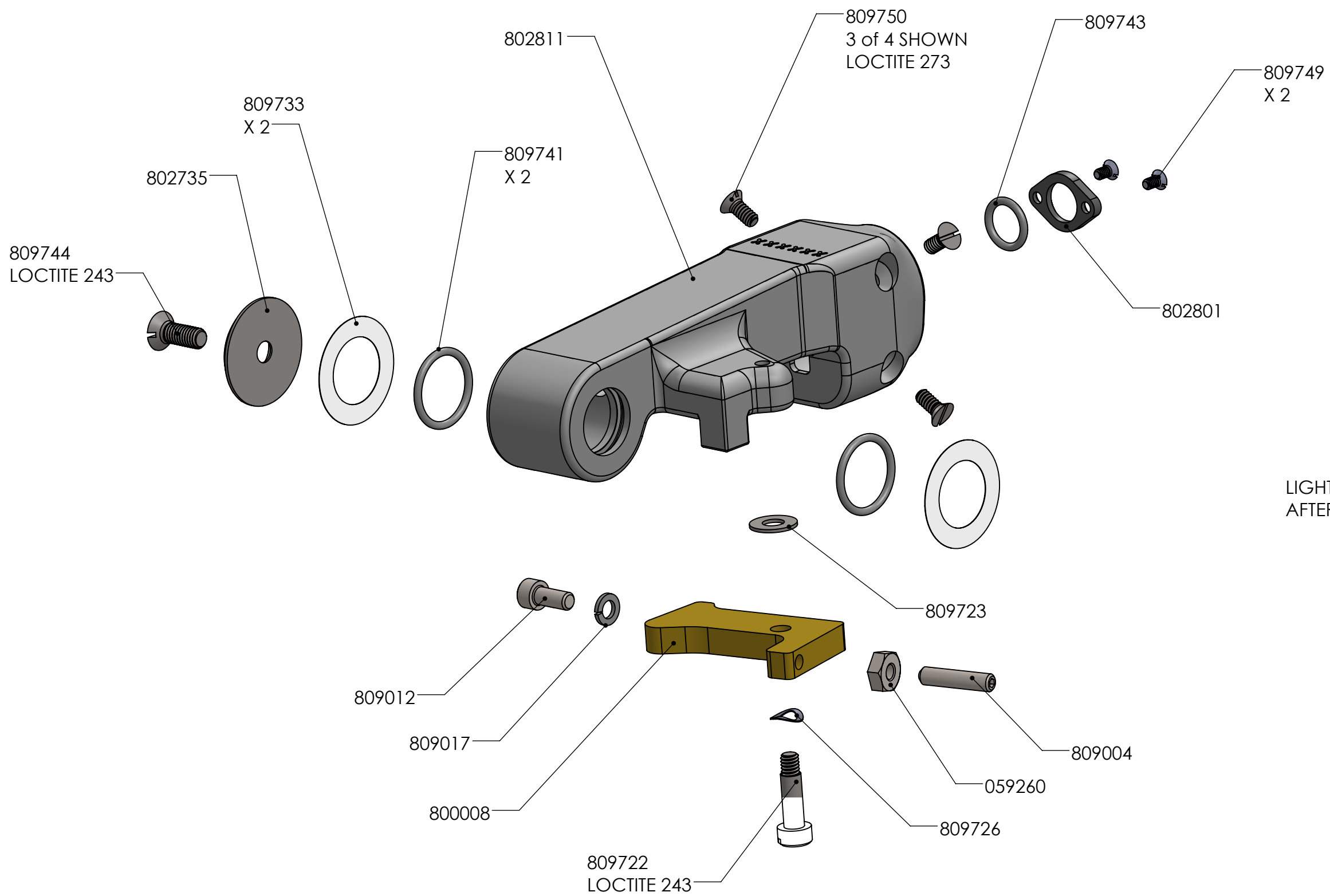
REVISIONS				
ECN	REV.	DESCRIPTION	DATE	BY
	A	RELEASE	08/2017	MWJ

NOTE:
 FOR PNs ENDING IN XX, CHOSE THE PN FROM THE LIST BELOW WITH
 THE LAST 2 DIGITS CORRESPONDING TO THE HANDLE LENGTH:

BRAKEBAND: 802134, 802147, 802160, 802172
 OUTER TUBE: 802234, 802247, 802260, 802272
 INNER DELIVERY TUBE: 802334, 802347, 802360, 802372



CFS80XTT	Finisher Box Handle, Continuous Flow	
	 <small>PROFESSIONAL DRYWALL FINISHING TOOLS</small>	REV. A

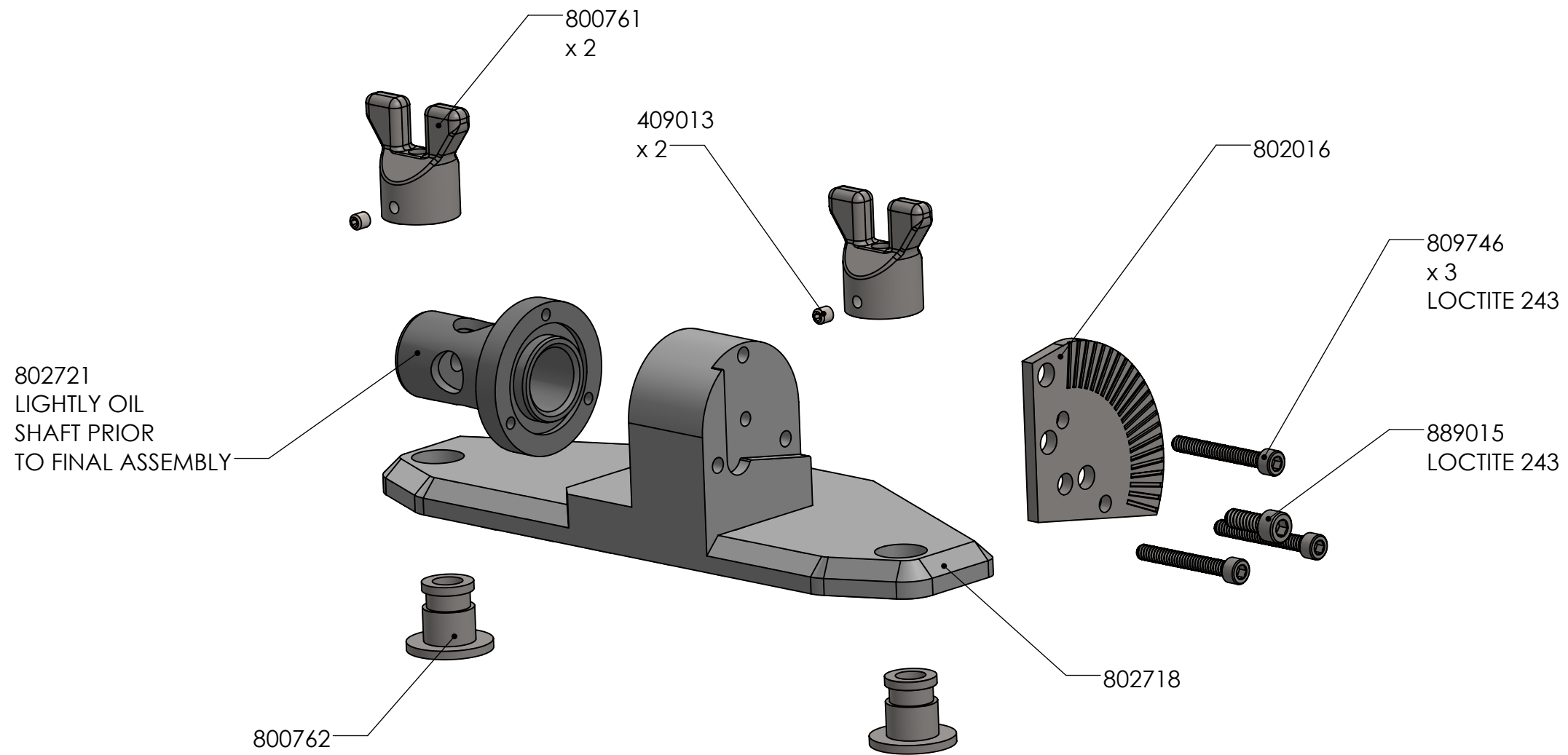


LIGHTLY OIL O-RINGS
AFTER INSTALLATION.

DETAIL A
HINGE

CFS80XTT

Finisher Box Handle, Continuous Flow	
TapeTech PROFESSIONAL DRYWALL FINISHING TOOLS	
REV. A	



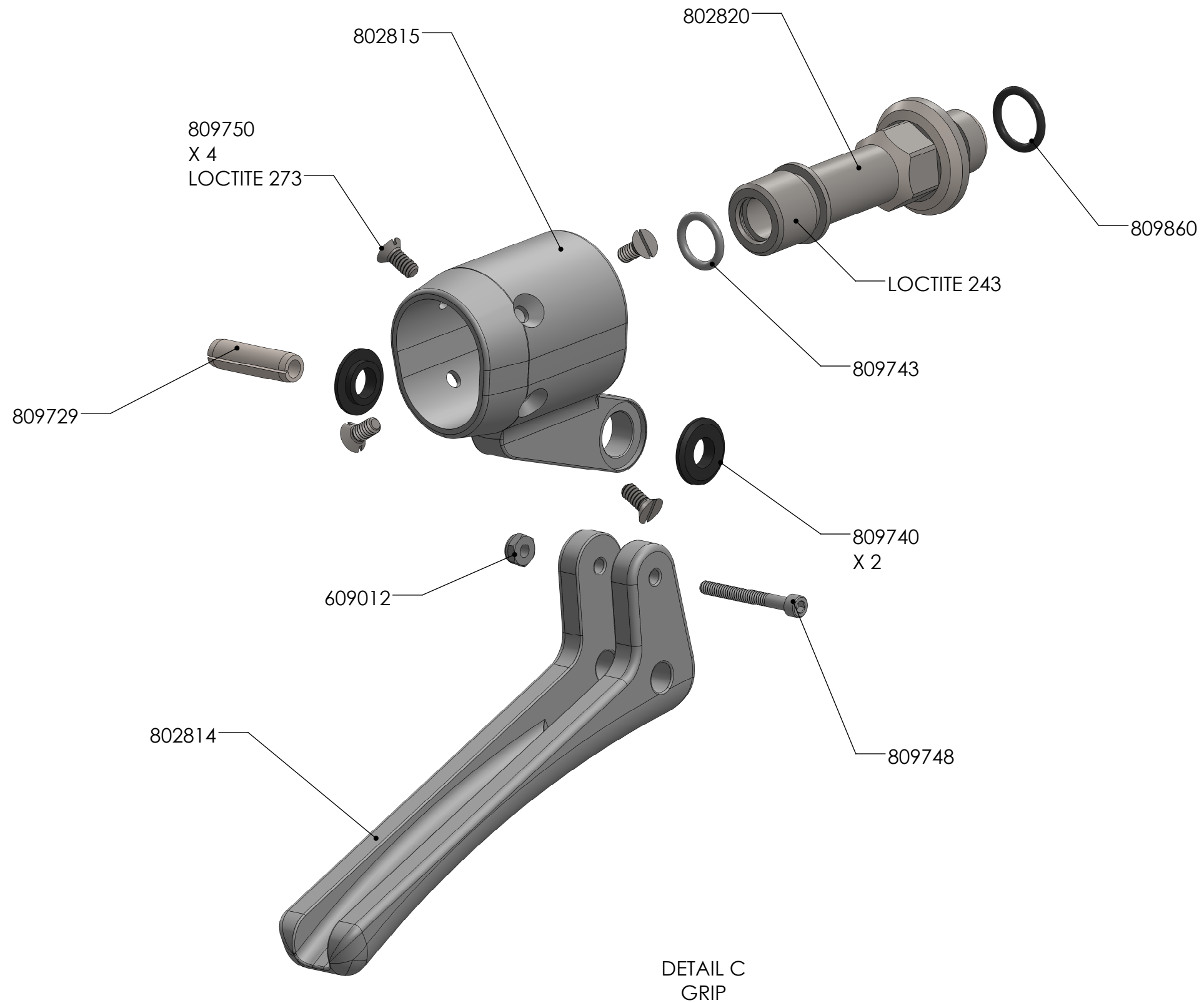
DETAIL B
CONNECTOR PLATE

CFS80XTT

Finisher Box Handle, Continuous Flow



REV.
A

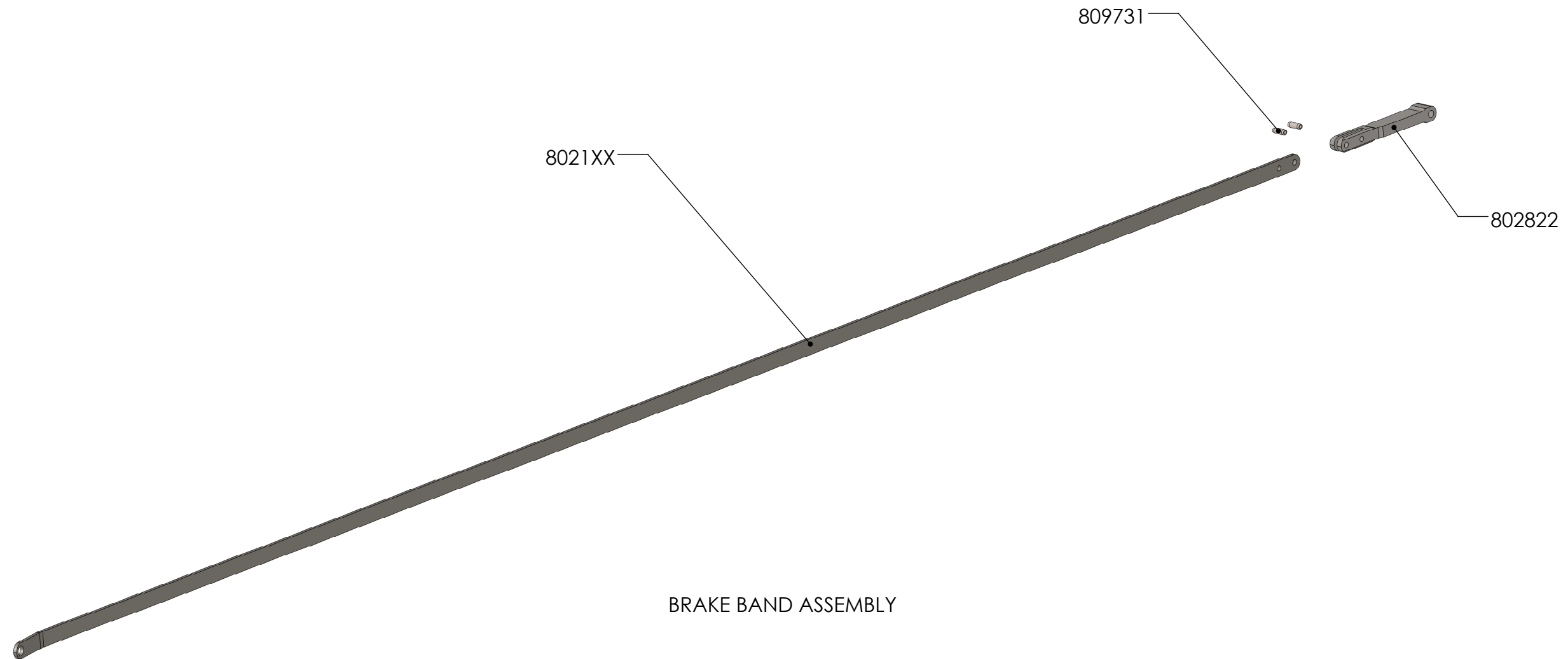


CFS80XTT

Finisher Box Handle, Continuous Flow



REV.
A



CFS80XTT

Finisher Box Handle, Continuous Flow

Tapetech
PROFESSIONAL DRYWALL FINISHING TOOLS

REV.
A